

HOW TO DRAW A FRONT VIEW

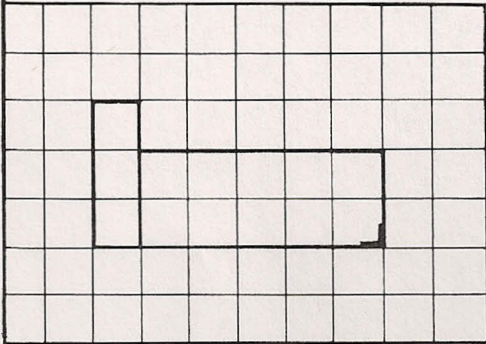
Information

To draw a FRONT VIEW of an object, first imagine you are holding your paper in front of the object and looking at it as shown in Figure 2. If you do this you will only be able to see the solid blue surfaces of the object. Drawing the outlines of these surfaces only, exactly as they look, is called drawing a FRONT VIEW. Figure 1 shows how the FRONT VIEW drawing of the object shown in Figure 2 will appear when finished.

Assignment

On the following pages (14, 15, 16, and 17) are pictorial drawings of eight different objects. A person is shown holding a sheet of paper directly in front of each object. On the paper is a drawing of the surfaces as the person sees them.

You are to draw a finished FRONT VIEW of each of these objects in each squared section given, in the same manner as shown in Figure 1. Start each drawing at the "heavy corner" given in each squared section and corresponding to the heavy corner shown in the drawing on the paper being held by the person in each picture. Allow one square to equal one inch.



FINISHED FRONT VIEW

FIGURE 1

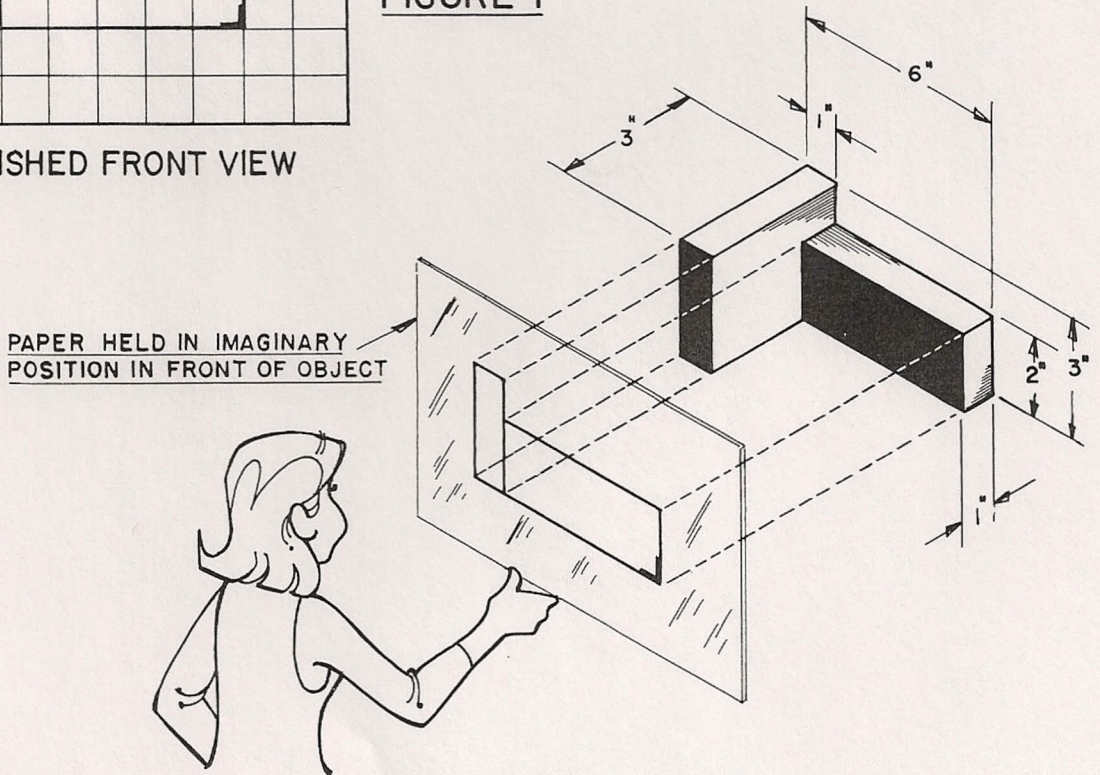
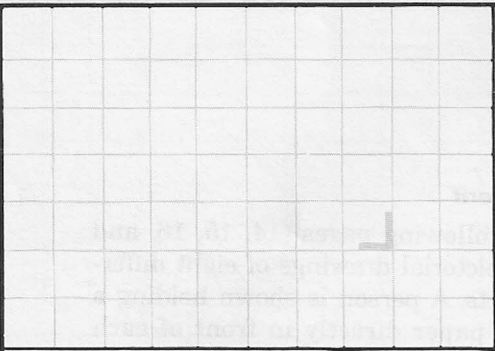
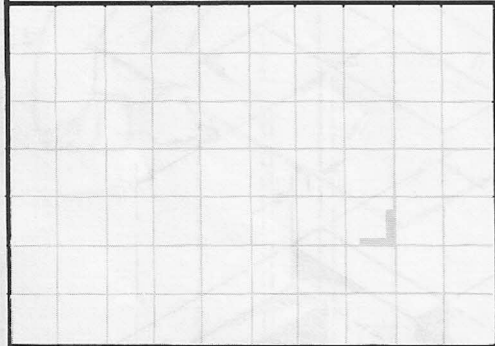
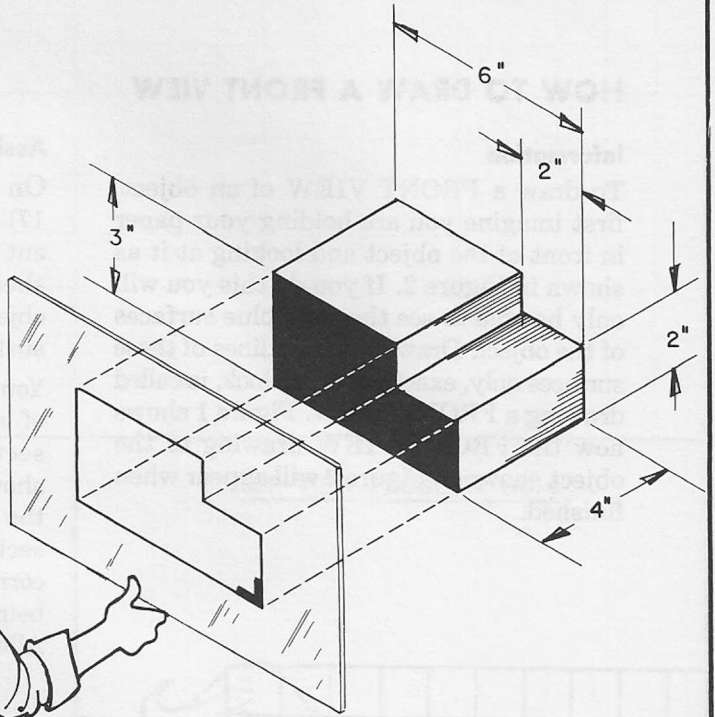


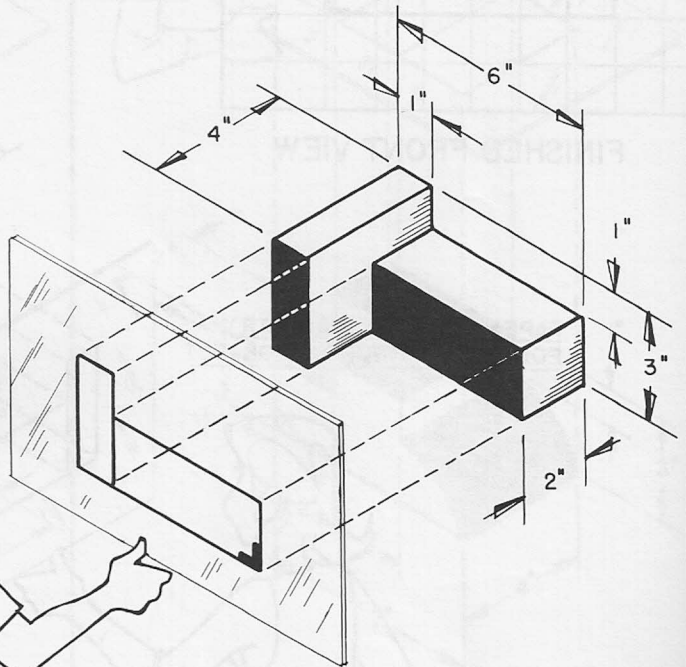
FIGURE 2



FRONT VIEW PROBLEM NO. 9



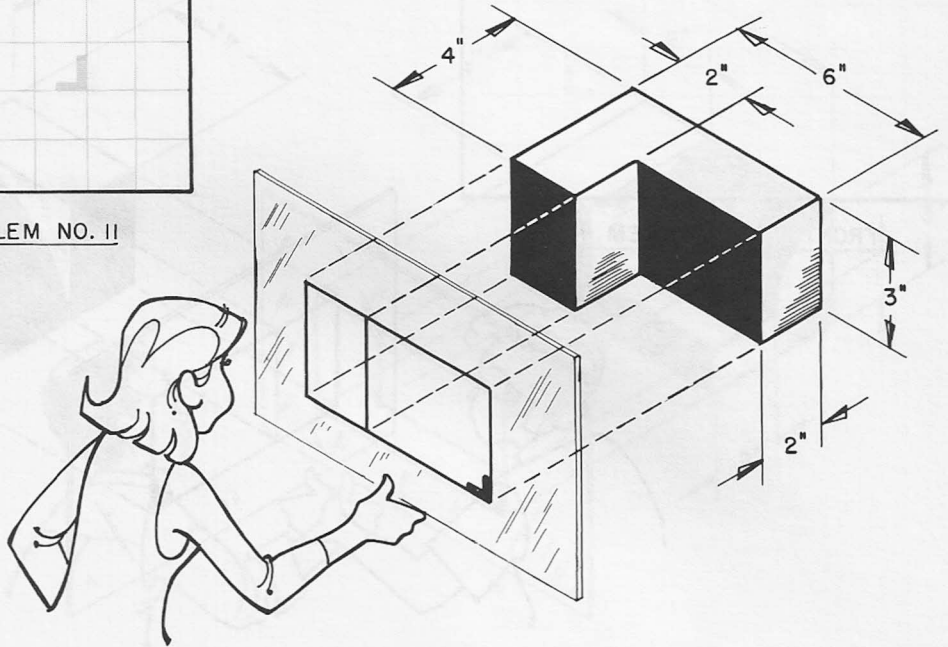
FRONT VIEW PROBLEM NO. 10



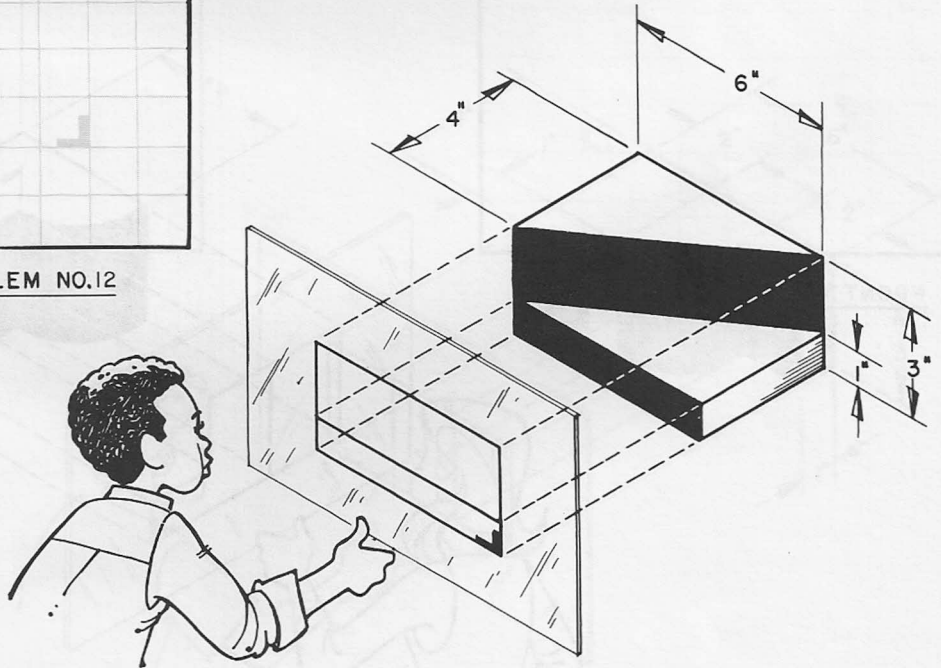
STUDENT _____

APPROVED _____

FRONT VIEW PROBLEM NO. II



FRONT VIEW PROBLEM NO.12



STUDENT _____

APPROVED _____