

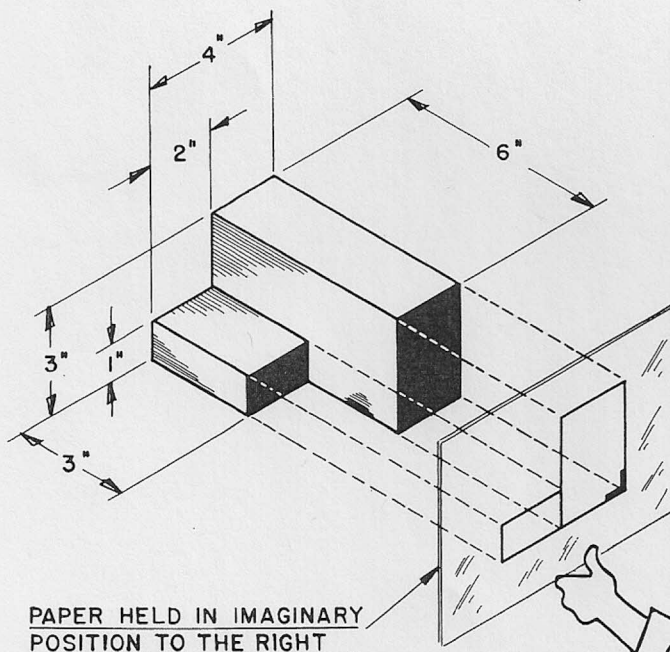
## HOW TO DRAW A RIGHT SIDE VIEW

### Information

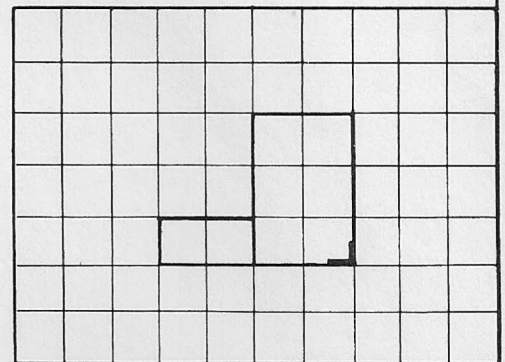
To draw a RIGHT SIDE VIEW of an object, first imagine you are holding your paper to the right of the object and looking at it as shown in Figure 2. If you do this you will only be able to see the solid blue surfaces of the object. Drawing the outlines of these surfaces only, exactly as they look, is called drawing a RIGHT SIDE VIEW. Figure 1 shows how the RIGHT SIDE VIEW drawing of the object shown in Figure 2 will appear when finished.

### Assignment

On the following pages (19, 20, 21, and 22) are pictorial drawings of eight different objects. A person is shown holding a sheet of paper at the right of each object. On the paper is a drawing of the surfaces as the person sees them. You are to draw a finished RIGHT SIDE VIEW of each object in each squared section, in the same manner as shown in Figure 1. Start each drawing at the "heavy corner" given in each squared section and corresponding to the heavy corner in the drawing on the paper being held by the person in each picture. Allow 1 square to equal one inch.



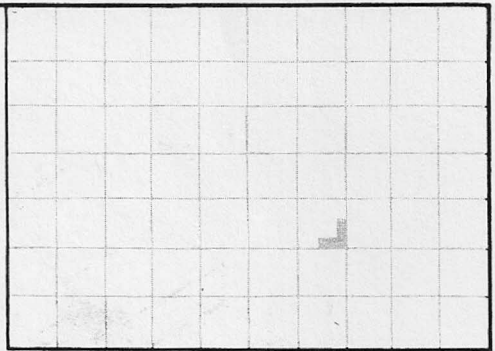
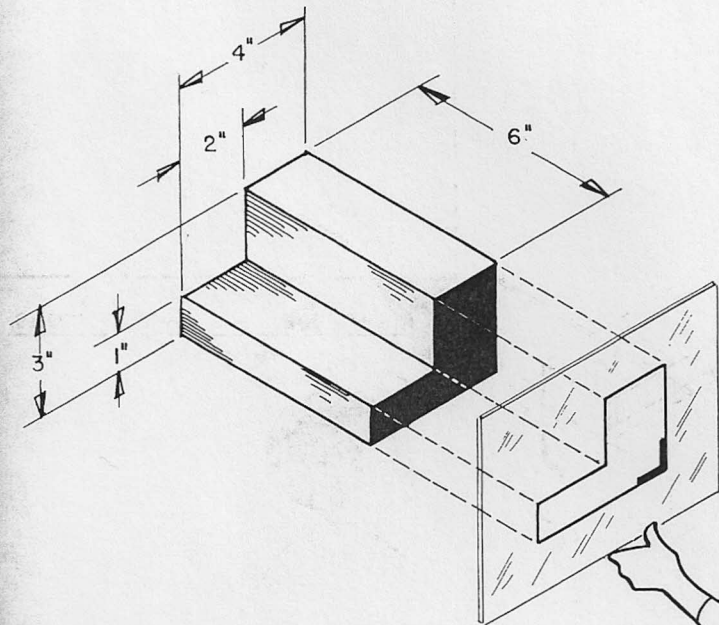
**FIGURE 2**



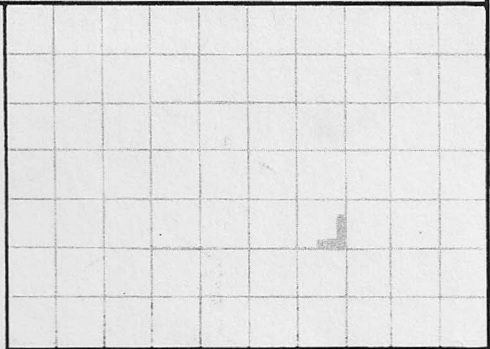
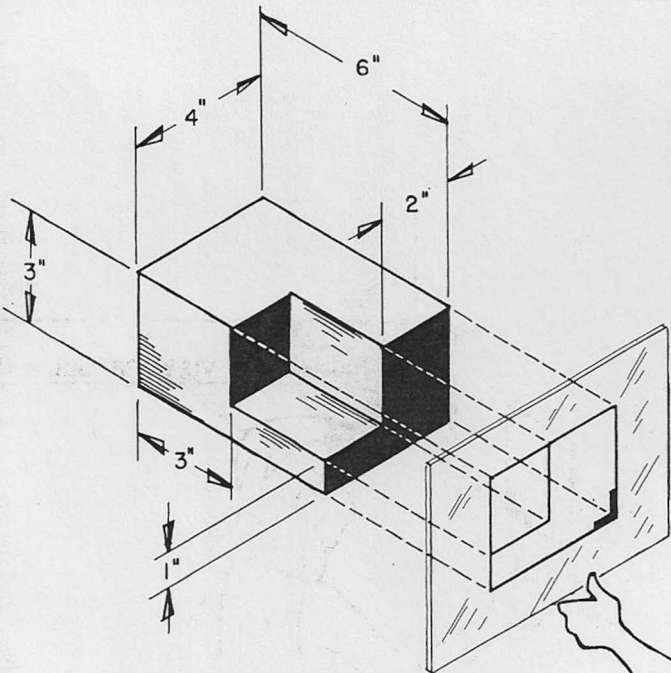
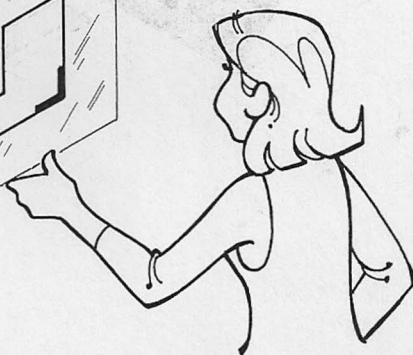
**FINISHED RIGHT SIDE  
VIEW DRAWING**

**FIGURE 1**





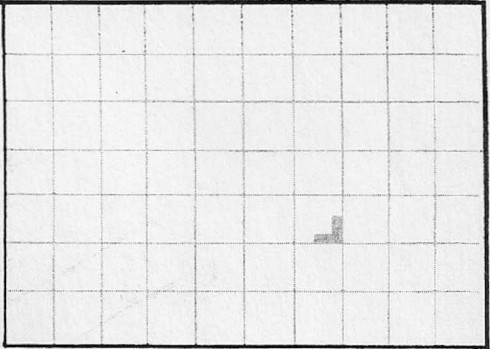
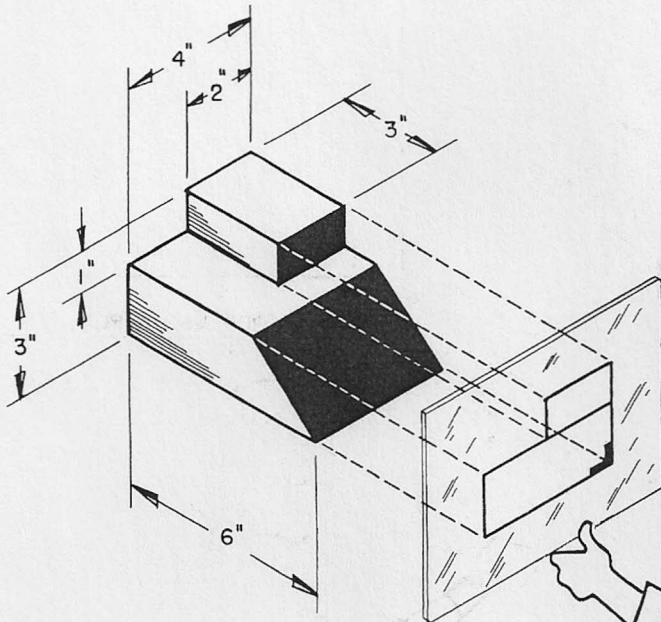
RIGHT SIDE VIEW PROBLEM NO.17



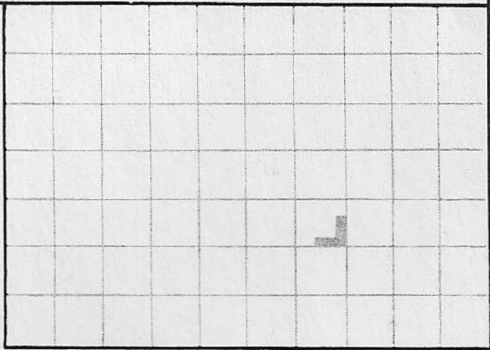
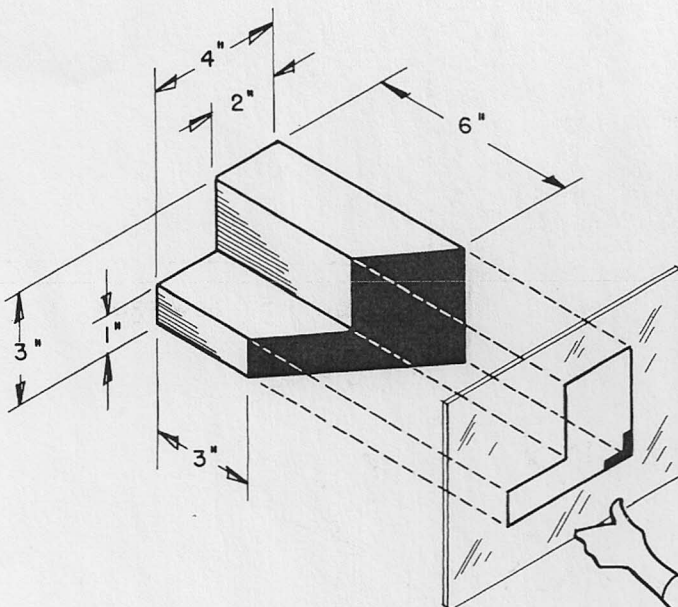
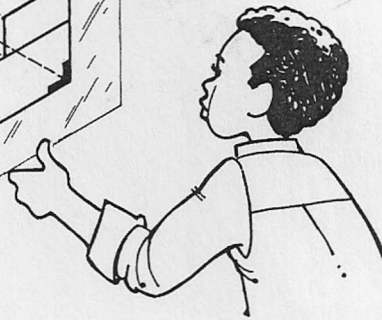
RIGHT SIDE VIEW PROBLEM NO.18



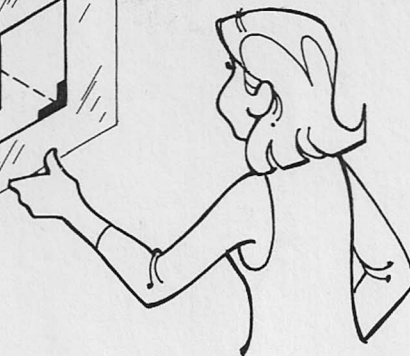
STUDENT \_\_\_\_\_ APPROVED \_\_\_\_\_



RIGHT SIDE VIEW PROBLEM NO.19



RIGHT SIDE VIEW PROBLEM NO.20



STUDENT \_\_\_\_\_ APPROVED \_\_\_\_\_