

FINISHED TOP VIEW DRAWING

FIGURE 1

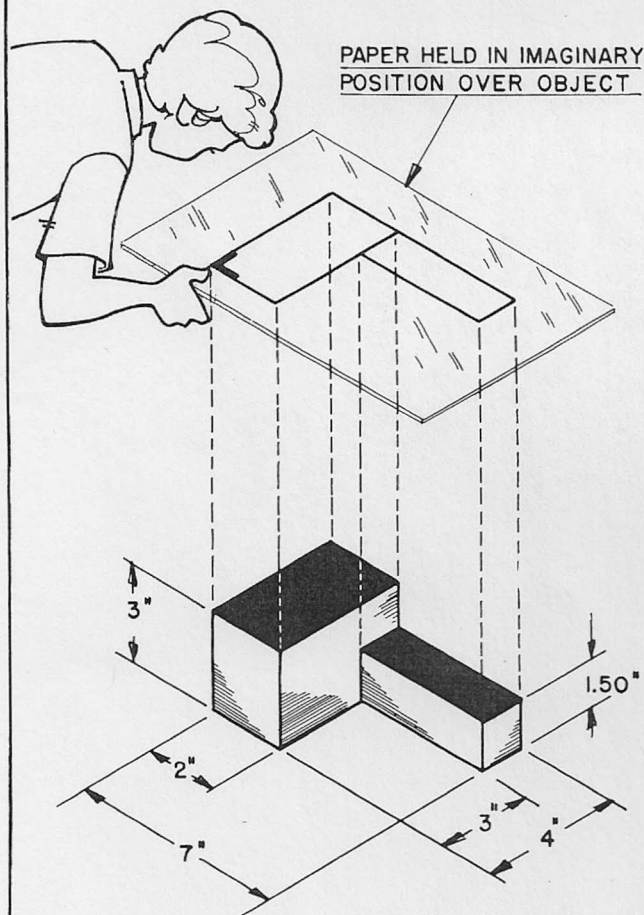


FIGURE 2

HOW TO DRAW A TOP VIEW

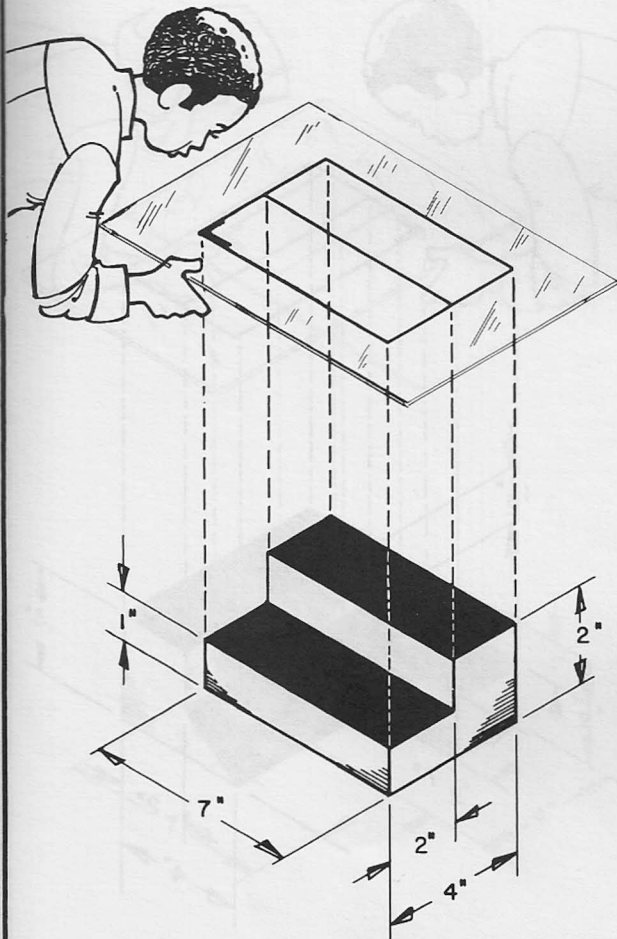
Information

To draw a TOP VIEW of an object, first imagine you are holding your paper directly above the object and looking down on it as shown in Figure 2. If you do this you will be able to see only the solid blue surfaces of the object. Drawing the outlines of these surfaces only, exactly as they look, is called drawing a TOP VIEW. Figure 1 shows how the TOP VIEW drawing of the object shown in Figure 2 will appear when finished.

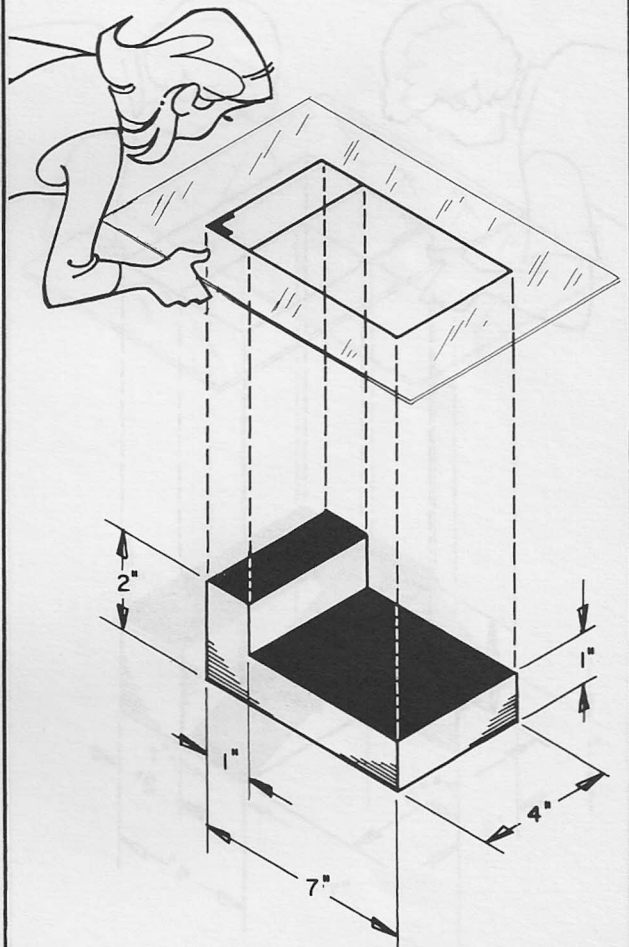
Assignment

On the following pages (9, 10, 11, and 12) are pictorial drawings of eight different objects. A person is shown holding a sheet of paper over each object. On the paper is a drawing of the surfaces as the person sees them. You are to draw a finished TOP VIEW of each of these objects in each squared section given, in the same manner as shown in Figure 1. Start each drawing at the "heavy corner" given in each squared section and corresponding to the "heavy corner" shown in the drawing on the paper being held over the object. Allow one square to equal one inch.

TOP VIEW PROBLEM NO.1



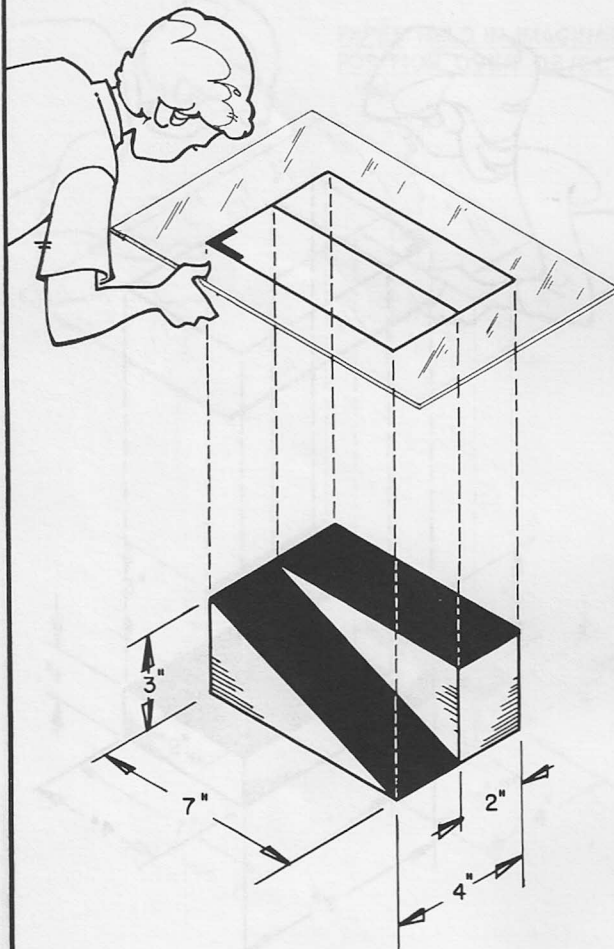
TOP VIEW PROBLEM NO.2



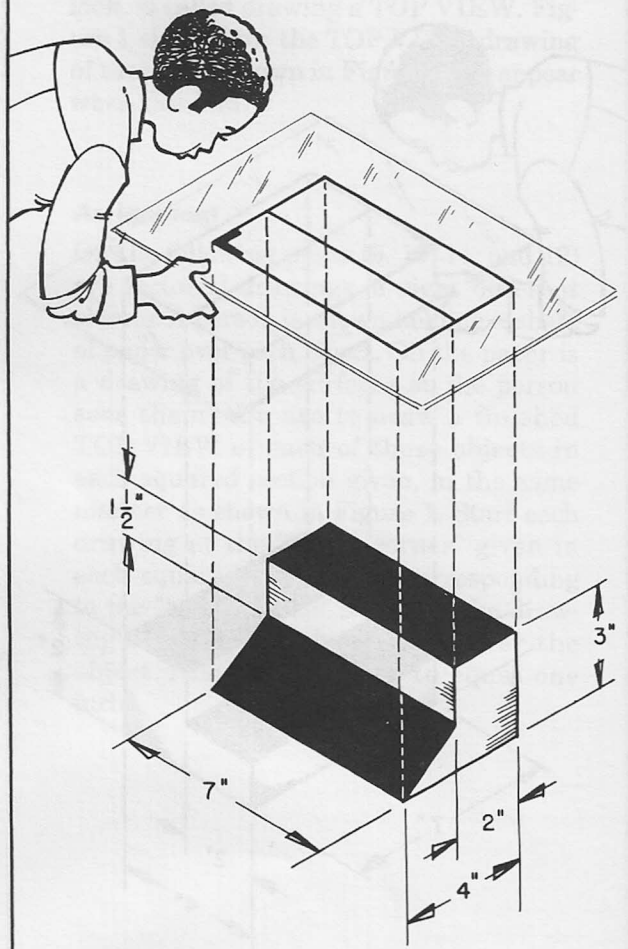
STUDENT _____ APPROVED _____

TOP VIEW PROBLEM NO. 3

FIGURE 1



TOP VIEW PROBLEM NO. 4



STUDENT _____

APPROVED _____